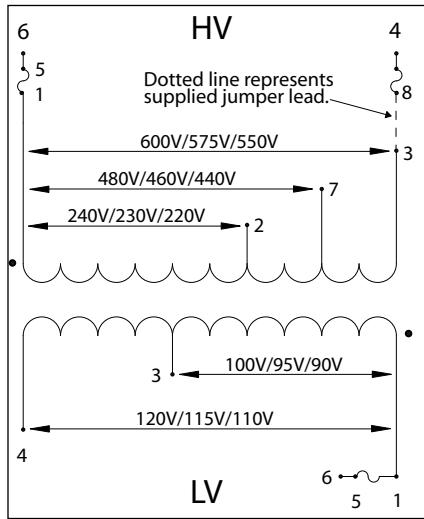


Group H

SECTION 1

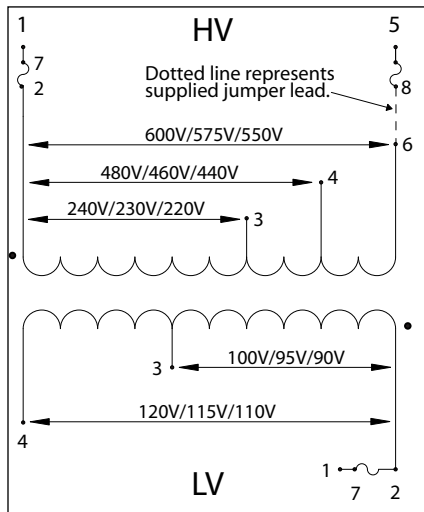
PH***MBMH Schematic for 50 and 75VA Units



High Voltage (HV) (Primary Volts)	Install Supplied Jumpers Between Terminals	Supply Lines Connect To	Install Fuse Clips To
600 575 550	None	1, 3	Unfused
480 460 440	None	1, 7	Unfused
240 230 220	None	1, 2	Unfused
600 575 550	3-8	6, 4	1-5, 4-8
480 460 440	8-7	6, 4	1-5, 4-8
240 230 220	2-8	6, 4	1-5, 4-8

Low Voltage (LV) (Secondary Volts)	Install Supplied Jumpers/ Links Between Terminals	Load Lines Connect To	Install Fuse Clips To
120 115 110	None	1, 4	Unfused
100 95 90	None	1, 3	Unfused
120 115 110	None	4, 6	1-5
100 95 90	None	3, 6	1-5

PH***MBMH Schematic for 100VA to 1500VA Units



High Voltage (HV) (Primary Volts)	Install Supplied Jumpers Between Terminals	Supply Lines Connect To	Install Fuse Clips To
600 575 550	None	2, 6	Unfused
480 460 440	None	2, 4	Unfused
240 230 220	None	2, 3	Unfused
600 575 550	5-6	1, 8	2-7, 5-8
480 460 440	4-5	1, 8	2-7, 5-8
240 230 220	3-5	1, 8	2-7, 5-8

Low Voltage (LV) (Secondary Volts)	Install Supplied Jumpers/ Links Between Terminals	Load Lines Connect To	Install Fuse Clips To
120 115 110	None	2, 4	Unfused
100 95 90	None	2, 3	Unfused
120 115 110	None	1, 4	2-7
100 95 90	None	1, 3	2-7